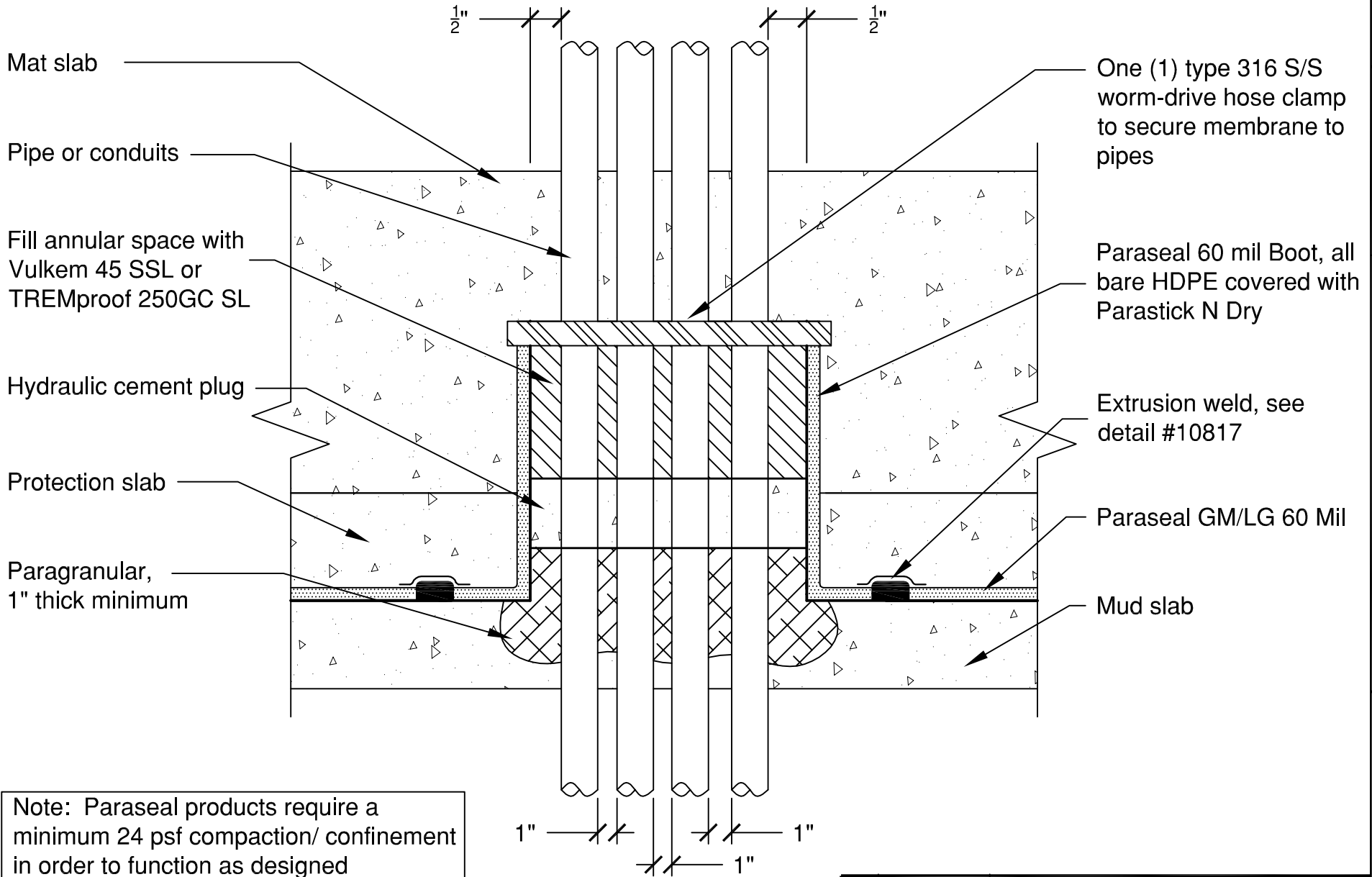


NOTES:

1. Annular space between conduit to be 1" min.
2. Membrane shall be $\frac{1}{2}$ " min from any conduit.
3. Electrical contractor shall be responsible for sealing the inside of the conduits.



Note: Paraseal products require a minimum 24 psf compaction/ confinement in order to function as designed

This detail is intended for conceptual purposes only. Detail must be reviewed by a project/design professional. See www.tremcosealants.com for the most up-to-date product information.

1	3/4/2014	Update Detail	KAB
Rev	Date	Description	By

Rev #
1

File Name:
10810

Sheet Number:

Date: 7/29/2009

Project: Paraseal GM/LG 60 Mil
Detail: Thru Floor Multi-Pipe Penetrations with Limited Annular Space

Scale: None

Checked by: xxx

Drawn by: KT

TREMCO
www.tremcosealants.com
3735 Green Road * Beachwood, OH 44122
Phone : 866-209-2404 * Fax : 216-766-5535